



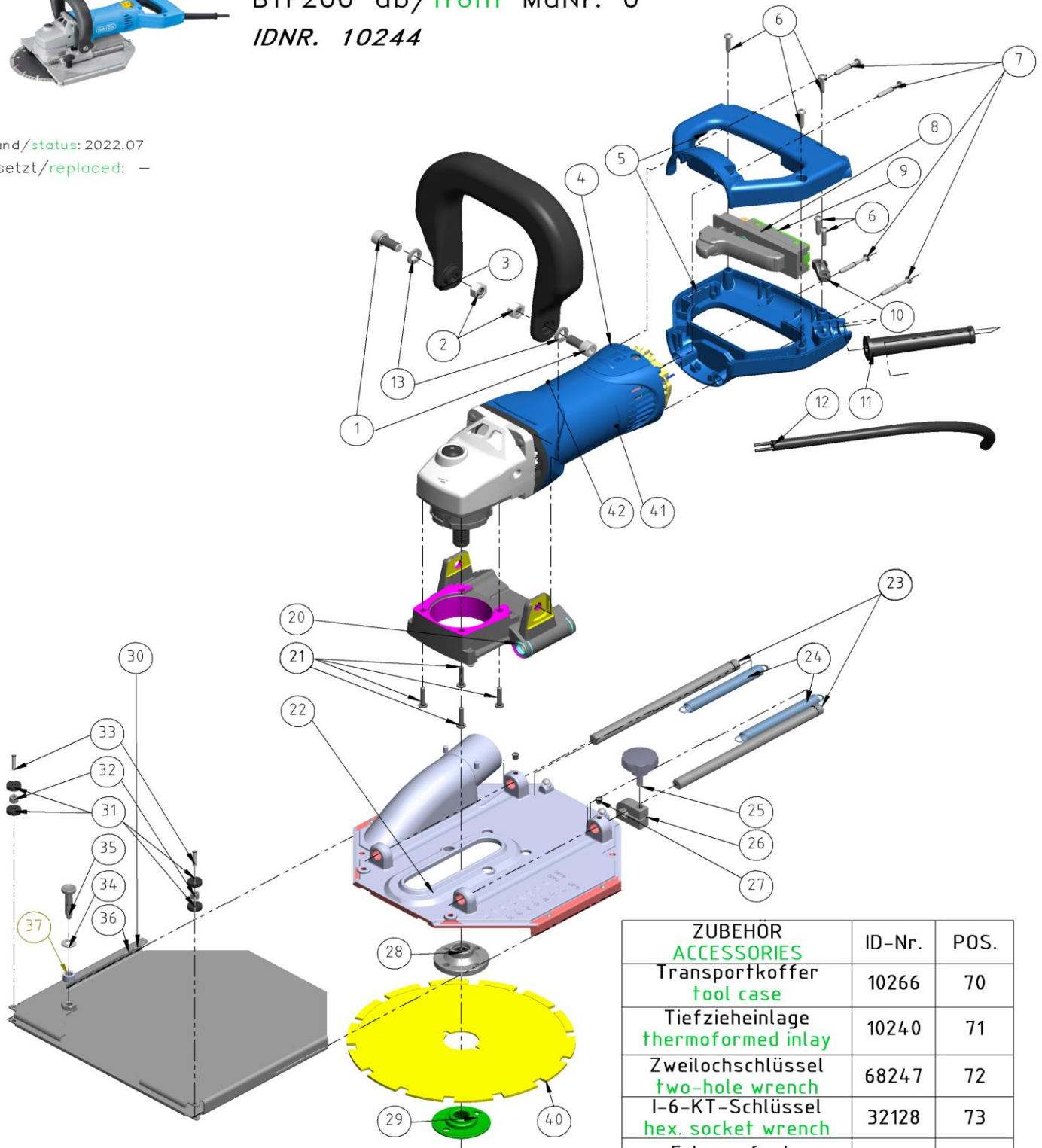
POS	IDNR	DESCRIPTION		qty
1	6841	HEXAGON SOCKET SCREW M8x20 DIN912 GALV.		2
2	11411	HEXAGON NUT M7 DIN439		2
3	10236	HANDLE BTF200		1
4	10243	MOTOR BTF200 CPL.		1
5	8795	HANDLE BDN125 CPL.		1
6	20990	SCREW EJOT DELTA PT 4X16 TORXPLUS		5
7	1446	SCREW EJOT DELTA PT 4X25 TORXPLUS		4
8	68510	O-RING 55X2		1
9	10224	SWITCH WITH LOCK		1
10	17913	CABLE CLAMP		1
11	25221	ANTI-KINK SLEEVE		1
12	24273	CABLE		1
13	10293	SPRING WASHER M8		2
20	10214	GUIDE CARRIAGE BTF200 CPL.	incl. # 1,2,3,13	1
21	10437	SCREW LIKO KSG 4X20 T20 GALV		4
22	10217	GUIDE PLATE BTF200 CPL.		1
23	10230	GUIDE SHAFT		2
24	10229	TENSION SPRING 1,25X10X97		2
25	68148	STAR GRIP M5X15		1
26	10225	DEPTH ADJUSTMENT BTF200		1
27	10228	SET SCREW M5X6		2
28	10235	DISC HOLDER CPL.		1
29	10232	CLAMPING DISC		1
30	10223	PROTECTION HOUSING BTF200 CPL.	incl. # 31 - 36	1
31	10220	ROLL 12X3,2X3,5		4
32	10221	ADJUSTING RING 3X7X5		2
33	10219	DOWEL PIN 3X16		2
34	44164	WASHER M6 GALV.		1
35	10268	LOCKING PIN M6		1
36	10222	PROTECTIVE HOUSING		1
37	10474	DISTANCE RING 6,2x10x6		1
40	10242	DIAMOND BLADE 185RD BTF200		1
41	10238	TYPE SIGN		1
42	8781	COMPANY SIGN		1
70	10266	TOOL CASE 280L		1
71	10240	THERMOFORMED INLAY BTF200		1
72	68247	TWO-HOLE WRENCH A35		1
73	32128	HEXAGON SOCKET WRENCH SW6		1
74	10227	CORNER ATTACHMENT BTF200		1
75	10412	SAW BLADE Ø200 HM Z=12 HOLZ		1

ERSATZTEILZEICHNUNG
SPARE PARTS DRAWING
Diamant-Sanierungstrennfräse
DIAMOND REMEDIAL CUTTING MACHINE

BTF200 ab/from MaNr. 0
IDNR. 10244



Stand/status: 2022.07
ersetzt/replaced: -



ZUBEHÖR ACCESSORIES	ID-Nr.	POS.
Transportkoffer tool case	10266	70
Tiefzieheinlage thermoformed inlay	10240	71
Zweilochschlüssel two-hole wrench	68247	72
I-6-KT-Schlüssel hex. socket wrench	32128	73
Eckenaufsatz corner attachment	10227	74
Sägeblatt 200 HM Z=12 SAW BLADE 200 HM Z=12	10412	75